

Technical Manual

S3100 MKII R/L



ACOUSTIC & ELECTRICAL SPECIFICATIONS:

- Nominal Impedance: 8Ω
- Max Amp Power: 200 watts*
- Frequency Response: 30Hz~20kHz (-6dB)
- Sensitivity: 95dB (2.83V/1m)
- Crossover Frequency: 750Hz(12dB/oct.)

SYSTEM COMPONENTS:

- Cabinet: S3100 MKII (Not for Sale)
- Grille:
 - Grille (L): 316321-001
 - Grille (R): 316321-002
- Low-Frequency Transducer: 317294-001 (ME150HS)
 - DC Resistance: 5.7 Ω ±10%
- High Frequency Transducer: 73988 (275ND)
 - DC Resistance: 3.2 Ω ±10%
- Crossover Network:
 - Low Frequency: 333938-002
 - High Frequency: 333938-001

AURAL SWEEP TEST SPECIFICATIONS:

- System Aural Sweep Test: 6.0V Input 30 Hz to 20 kHz
- L.F. Aural Sweep Test: 5.0V Input 30 Hz to 1 kHz
- H.F. Aural Sweep Test: 2.83V Input 500 Hz to 20 kHz

PHYSICAL SPECIFICATIONS:

- Dimensions (WxHxD): 22 x 43 3/8 x 16"
(561x1102x406mm)
- Weight: 140 lbs/63.5kg Each

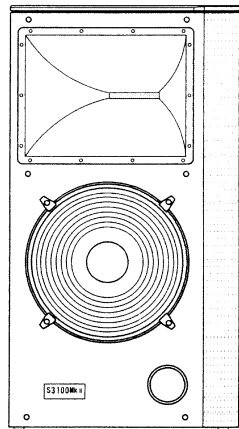
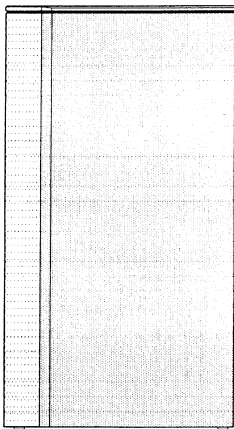
WARRANTY:

- Refer to Warranty Statement packed with each product.

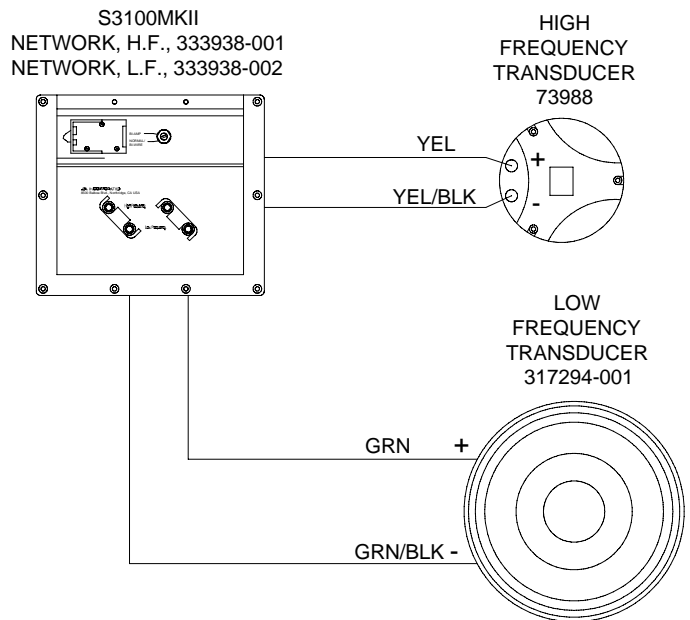
* The maximum recommended amplifier power rating will ensure proper system headroom to allow for occasional peaks. We do not recommend sustained operation at these maximum power levels.

PARTS LIST

DESCRIPTION	PART NO.
HORN	N/A-Use 319381-001
HORN GASKET	315414-001
GRILLE CUP (6)	72546
WOOFER GASKET	320216-001
WOOFER MNT. CLAMP (4)	60958-01
BATTERY COVER	75033-0085
JBL LOGO	313668-001
OUTER CARTON	333939-001
END PAD, TOP, BOT	311966-001 311966-002



WIRING DIAGRAM

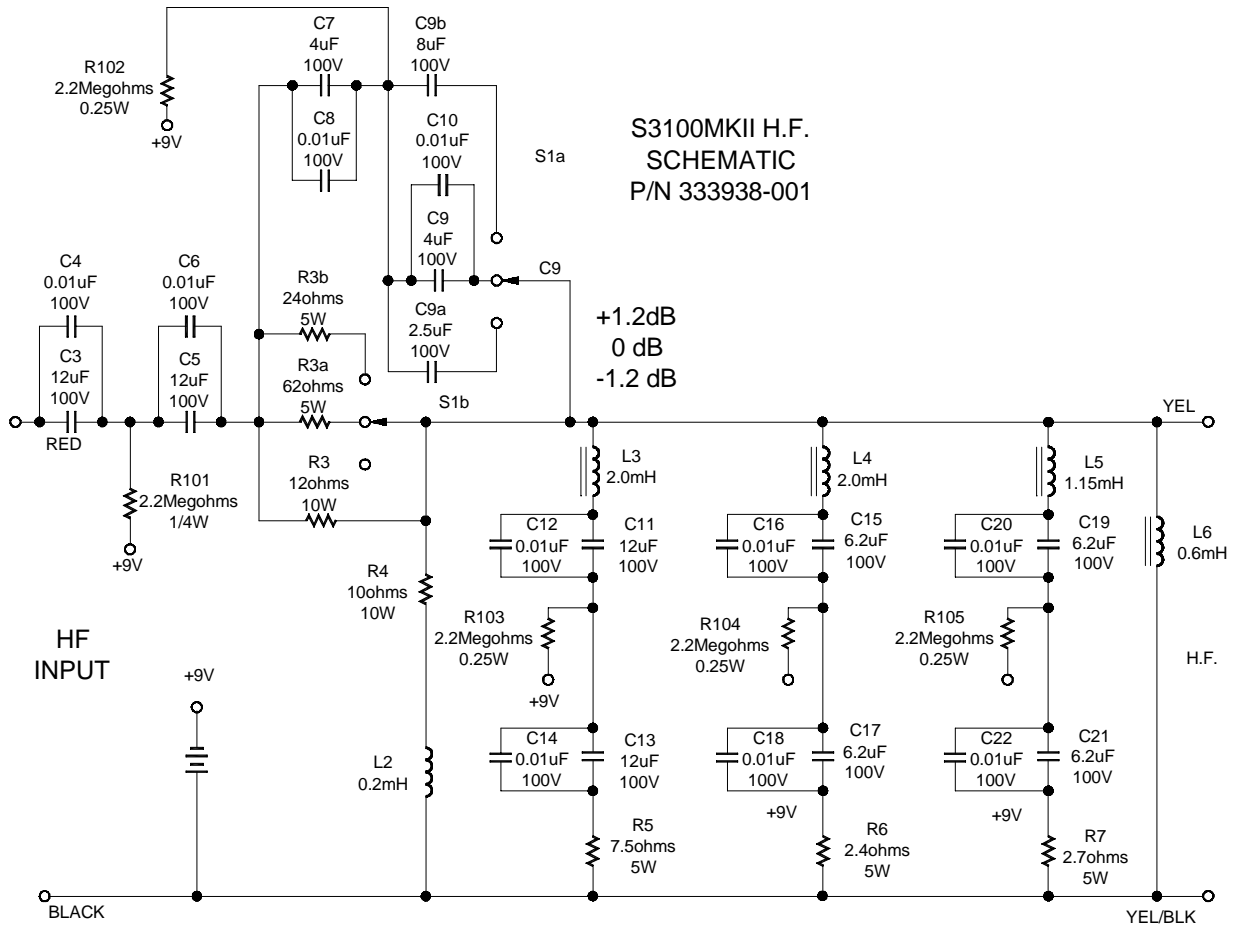


00382

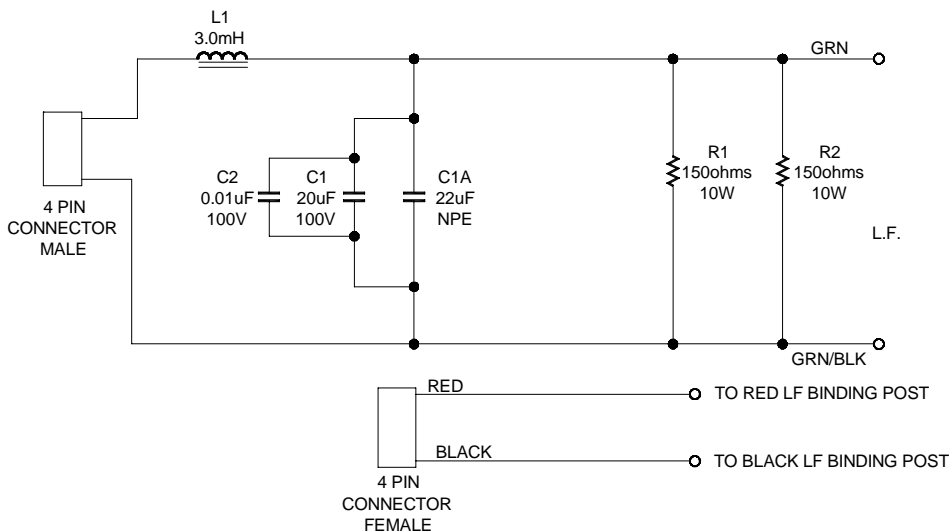
S3100 MKIII

S3100 MKII R/L

Schematics



S3100MKII L.F. SCHEMATIC
P/N 333938-002



00381

S3100 MKIII